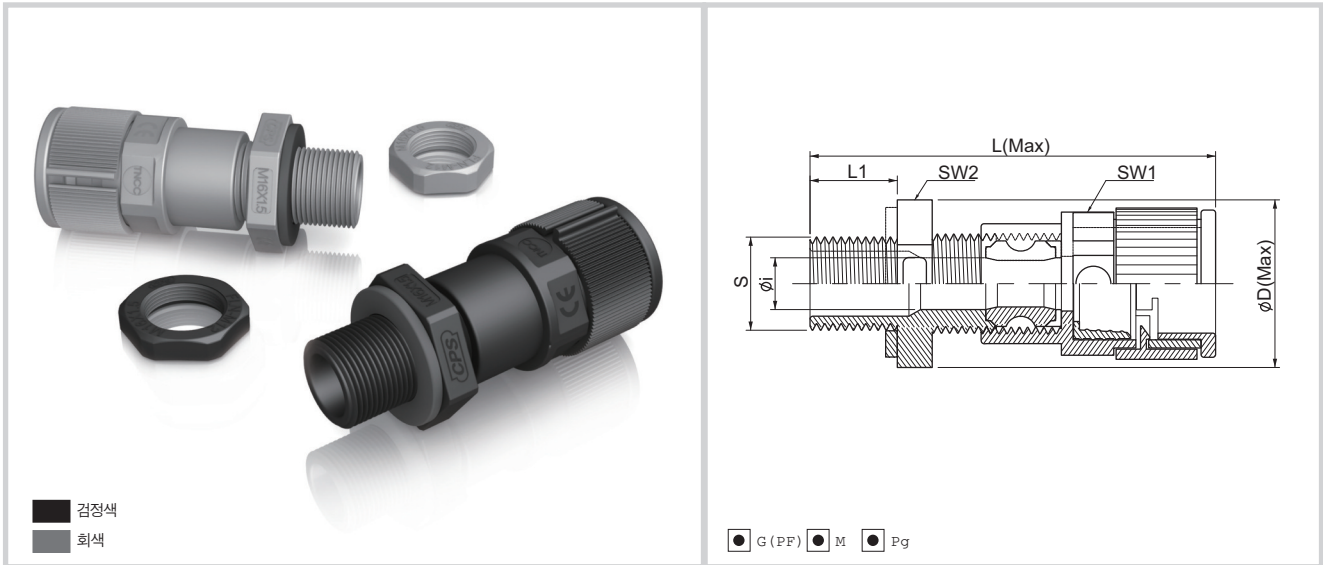
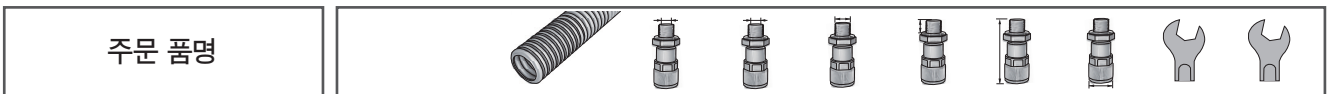


TNCC IP67



- 재 질 : 고품질 폴리아미드 6
- 방 수 등 급 : IP 67 (EN 60529)
- 적용 온도 범위 : -40°C ~ +105°C
- 순간 최대 온도 : +150°C
- 자 기 소 화 성 : UL94-HB, 할로겐/카드뮴 발생 없음
- 색 상 : 검정색, 회색
- 적 용 : 공작기계, 산업기계, 자동화기계, 조선소, 전동차등 기계의 진동으로 발생하는 케이블의 단선을 방지하기 위해 사용되는 커넥터.

🔗 제품사이즈



PF Thread (JIS B0202)

(단위 : mm)

검정색	회색	나사	튜브사이즈	Øi(최소)	Øi(최대)	S	L1	L	ØD	SW1	SW2
TNCC-G10B	TNCC-G10G	G1/2"	10	3.5	6.5	20.9	15	69.5	23	22.6	20.3
TNCC-G12B	TNCC-G12G	G1/2"	12	4.0	8.0	20.9	15	70.0	25	25.5	22.7
TNCC-G16B	TNCC-G16G	G1/2"	16	7.0	12.3	20.9	15	74.0	30	25.4	27.7
TNCC-G1622B	TNCC-G1622G	G1/2"	22	12.0	15.2	20.9	15	85.0	41	34	36.9
TNCC-G22B	TNCC-G22G	G3/4"	22	12.0	18.0	26.4	15	85.0	41	34	36.9
TNCC-G228B	TNCC-G228G	G3/4"	28	18.0	20.3	26.4	15	89.0	47	43.4	43.0
TNCC-G28B	TNCC-G28G	G1"	28	18.0	26.0	33.2	15	89.0	47	43.4	43.0
TNCC-G36B	TNCC-G36G	G1 1/4"	36	22.0	33.0	41.9	19	112.0	56	53.0	52.2
TNCC-G48B	TNCC-G48G	G2"	48	30.0	38.0	59.6	19	120.0	68	66.5	64.1

주문 품명


Metric Thread (EN 60423)

(단위 : mm)

검정색	회색	나사	튜브사이즈	Ø _i (최소)	Ø _i (최대)	S	L ₁	L	Ø _d	SW1	SW2
TNCC-M10B	TNCC-M10G	M12 X 1.5	10	3.5	6.5	12	15	69.5	23	22.6	20.3
TNCC-M120B	TNCC-M120G	M16 X 1.5	10	3.5	6.5	16	15	69.5	23	22.6	20.3
TNCC-M102B	TNCC-M102G	M12 X 1.5	12	4.0	7.1	12	15	70.0	25	25.5	22.7
TNCC-M12B	TNCC-M12G	M16 X 1.5	12	4.0	8.0	16	15	70.0	25	25.5	22.7
TNCC-M162B	TNCC-M162G	M20 X 1.5	12	4.0	8.0	20	15	70.0	25	25.5	22.7
TNCC-M126B	TNCC-M126G	M16 X 1.5	16	7.0	10.9	16	15	74.0	30	25.4	27.7
TNCC-M16B	TNCC-M16G	M20 X 1.5	16	7.0	12.3	20	15	74.0	30	25.4	27.7
TNCC-M1622B	TNCC-M1622G	M20 X 1.5	22	12.0	14.5	20	15	85.0	41	34.0	36.9
TNCC-M22B	TNCC-M22G	M25 X 1.5	22	12.0	18.0	25	15	85.0	41	34.0	36.9
TNCC-M228B	TNCC-M228G	M25 X 1.5	28	18.0	19.5	25	15	89.0	47	43.4	43.0
TNCC-M28B	TNCC-M28G	M32 X 1.5	28	18.0	26.0	32	15	89.0	47	43.4	43.0
TNCC-M36B	TNCC-M36G	M40 X 1.5	36	22.0	33.0	40	19	112.0	56	53.0	52.2
TNCC-M48B	TNCC-M48G	M50 X 1.5	48	30.0	38.0	50	19	120.0	68	66.5	64.1

Pg Thread (DIN 40430)

검정색	회색	나사	튜브사이즈	Ø _i (최소)	Ø _i (최대)	S	L ₁	L	Ø _d	SW1	SW2
TNCC-P07B	TNCC-P07G	Pg07	10	3.5	6.5	12.5	15	69.5	23	22.6	20.3
TNCC-P09B	TNCC-P09G	Pg09	10	6.5	6.5	15.2	15	69.5	23	22.6	20.3
TNCC-P072B	TNCC-P072G	Pg07	12	4.0	8.0	12.5	15	70.0	25	25.5	22.7
TNCC-P092B	TNCC-P092G	Pg09	12	4.0	8.0	15.2	15	70.0	25	25.5	22.7
TNCC-P11B	TNCC-P11G	Pg11	12	4.0	8.0	18.6	15	70.0	25	25.5	22.7
TNCC-P132B	TNCC-P132G	Pg13.5	12	4.0	8.0	20.4	15	70.0	25	25.5	22.7
TNCC-P162B	TNCC-P162G	Pg16	12	4.0	8.0	22.5	15	70.0	25	25.5	22.7
TNCC-P096B	TNCC-P096G	Pg09	16	7.0	10.6	15.2	15	74.0	30	25.4	27.7
TNCC-P116B	TNCC-P116G	Pg11	16	7.0	12.3	18.6	15	74.0	30	25.4	27.7
TNCC-P13B	TNCC-P13G	Pg13.5	16	7.0	12.3	20.4	15	74.0	30	25.4	27.7
TNCC-P16B	TNCC-P16G	Pg16	16	7.0	12.3	22.5	15	74.0	30	25.4	27.7
TNCC-P122B	TNCC-P122G	Pg11	22	12.0	13.9	18.6	15	85.0	41	34.0	36.9
TNCC-P1322B	TNCC-P1322G	Pg13.5	22	12.0	14.8	20.4	15	85.0	41	34.0	36.9
TNCC-P1622B	TNCC-P1622G	Pg16	22	12.0	17.3	22.5	15	85.0	41	34.0	36.9
TNCC-P21B	TNCC-P21G	Pg21	22	12.0	18.0	28.3	15	85.0	41	34.0	36.9
TNCC-P218B	TNCC-P218G	Pg21	28	18.0	22.5	28.3	15	89.0	47	43.4	43.0
TNCC-P29B	TNCC-P29G	Pg29	28	18.0	26.0	37.0	15	89.0	47	43.4	43.0
TNCC-P36B	TNCC-P36G	Pg36	36	22.0	33.0	47.0	19	112.0	56	53.0	52.2
TNCC-P48B	TNCC-P48G	Pg48	48	30.0	38.0	59.3	19	120.0	68	66.5	64.1